

RAPTOR
FROM **TOWMATE**

COIL PIPE TRAILERS



© Towmate Trailers. Printed in the UK.



ROBUST. VERSATILE. DURABLE

Built From The Ground Up. The Raptor Pipe Trailer.

Built from the ground up, the Raptor coil pipe trailer is the perfect solution for the transportation of water and gas pipes. The robust, modular design ensures significantly reduced maintenance and repair costs, and minimises any downtime.

Designed with a safety first philosophy, the recently updated Raptor incorporates many innovative features and functions to make your job easier, including adjustable chute rollers that accommodate to new coil sizes, simple ground level loading, dispensing and operation. Both models of the trailer are available with optional

extras, that can be purchased with the trailer, or later, as and when required.

Available in two models, the Raptor offers two quick and easy methods of loading - either over the top or rear loading via the tailgate. The variety of pipe sizes capable of being carried spans from 60mm to 180mm diameter, making the Raptor pipe trailer suitable for any requirement.

RAPTOR PIPE TRAILER

RAISING THE STANDARD.

At the heart of the Raptor is a robust chassis designed to provide a pleasant towing experience. Its standard features ensure the Raptor is always competent in every situation.



▲ LED DUAL VOLTAGE LIGHTING

LED dual voltage lights are included as standard on all our trailers. LED lights are more energy efficient, brighter and more resistant to vibration.



▲ HEAVY DUTY RUNNING GEAR

The Rhino features a 5-stud configuration with a heavy duty SFL bearing for durability and easy of maintenance.



▼ IT'S YOUR CHOICE!

Choose between a 40mm eye or a 50mm ball coupling at no extra cost! Our 50mm ball coupling comes with high security lock with extra peace of mind.



◀ HEAVY DUTY MUDGUARDS

Bespoke welded steel construction offers a load bearing surface and enhanced durability.



◀ 2.5T RATED LASHING POINTS

8 lashing points, rated at 2.5t each provide multiple tie down points. Engineered so they tuck out of the way when not in use, these hooks provide a clear deck which is easy to clean.





▲ **RATCHET STRAP**

The ratchet strap provided as standard with all pipe trailers ensures that you are able to control the trailing end of the pipe, and avoid any danger to the operators.



▲ **CENTRE DISC**

The centre disc is the main anchor point for the ratchet strap, which in turn facilitates the controlled dispensing of the coil.

3-YEAR WARRANTY

Our Pipe Trailers come with a 3-year warranty.



▲ **PIPE-END CLAMP**

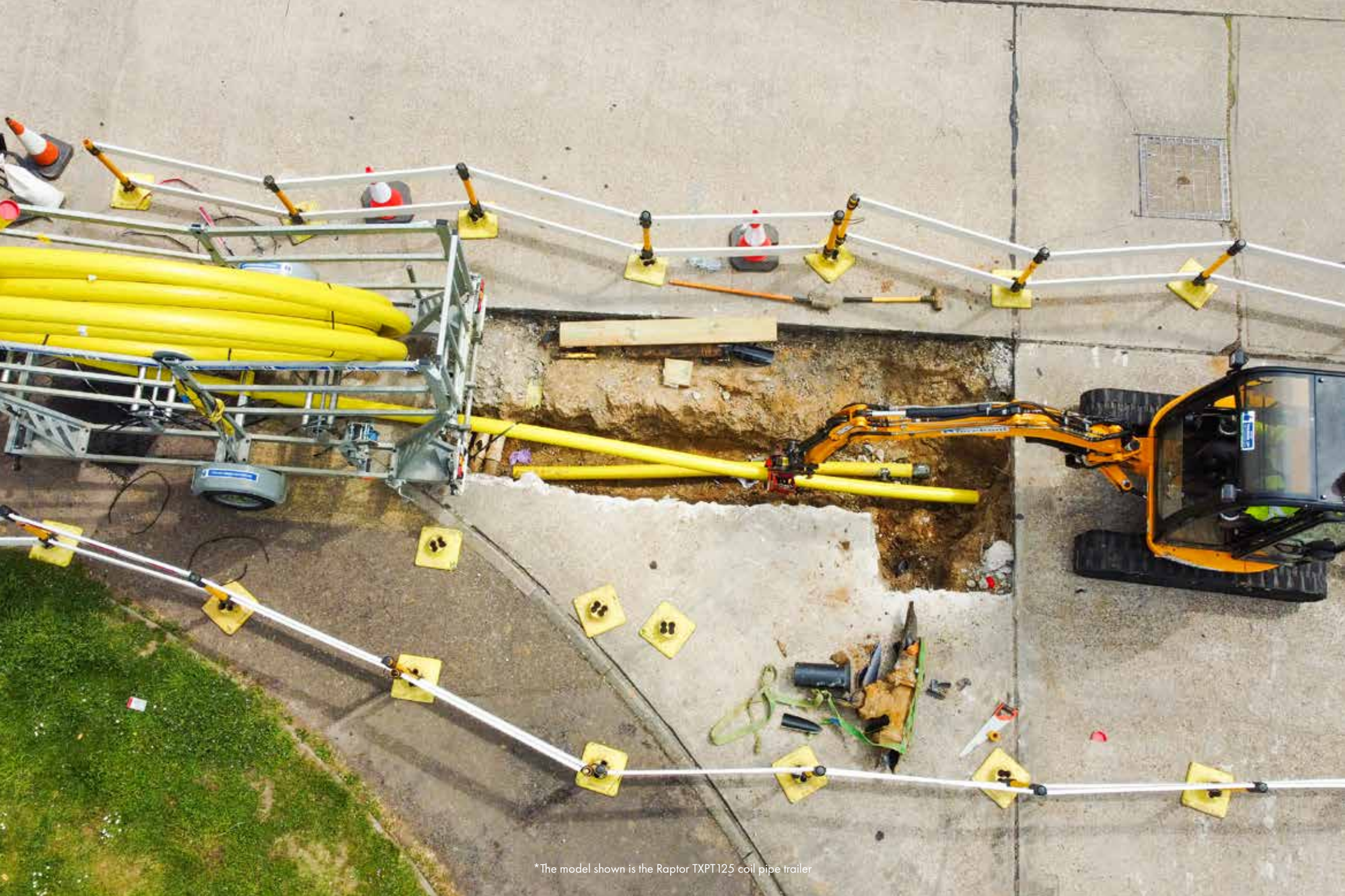
Fitting to the trailing edge of the pipe while in the trailer, the pipe end clamp provides a fixing point for the ratchet strap to attach to, which secures the coil of pipe during the dispensing process.



▲ **ADJUSTABLE CHUTE ROLLERS**

The adjustable chute rollers are movable rollers that are adjustable to the size of pipe that is being dispensed, enabling a smooth and controlled dispensing of pipe.





*The model shown is the Raptor TXPT125 coil pipe trailer

DO IT BETTER THE RAPTOR PIPE TRAILER.

Our modular chassis design allows for complete customisation to your needs with options that are available for add-on in the future.



▲ LAYSAFE

LaySafe is a unique innovation engineered to help make the process of dispensing pipe from the back of a pipe trailer a safer experience for all operators involved.

The LaySafe system reduces the stored energy within the coil of pipe as it comes off the trailer. The system does not require any complex control systems, hydraulics or electronics and provides a safe installation methods which is 10 x faster than the alternative "stick" method and saves up to £4,000 per 100 meters of pipe installed.



◀ ADJUSTABLE PIPE GUIDE

The adjustable pipe guide supports the pipe as it leaves the trailer and ensures an efficient and smooth dispensing experience.



▶ SKID PLATE

The skid plate fills in the open space between the chassis rails and helps to guide the pipe to the rear of the trailer rather than getting tangled up with the axle and brake cables.



◀ SIDE STEPS & HOP-UP STEPS

GRP mini mesh infill on the side steps provides a durable platform when working on the trailer. A safe step to access pipe. Also available are little hop-up steps.

▼ WINCH ASSEMBLY

The winch assembly is designed to assist the operator to safely start the dispensing process (can't be used with LaySafe)



▲ WHEELSENTRY®

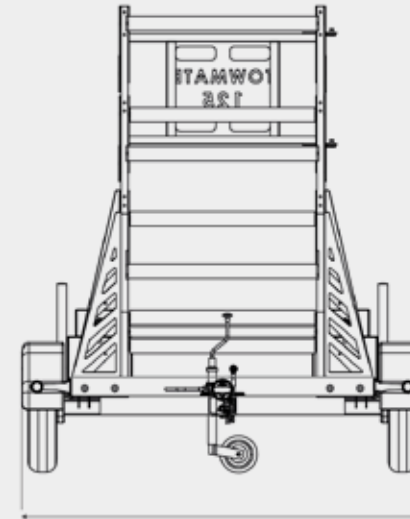
Our unique WheelSentry 2-in-1 wheel nut indicator and retainer system. Recommended to ensure reduced risk of wheel loss.



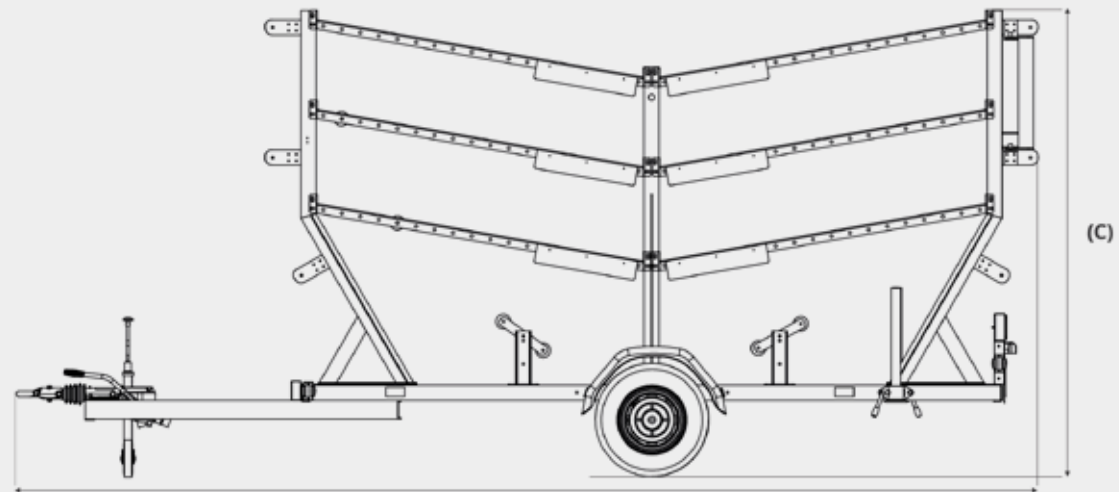
DIMENSIONS

SINGLE AXLE.

- (A) Overall Length (mm)
- (B) Overall Width (mm)
- (C) Overall Unladen Height (mm)



(B)



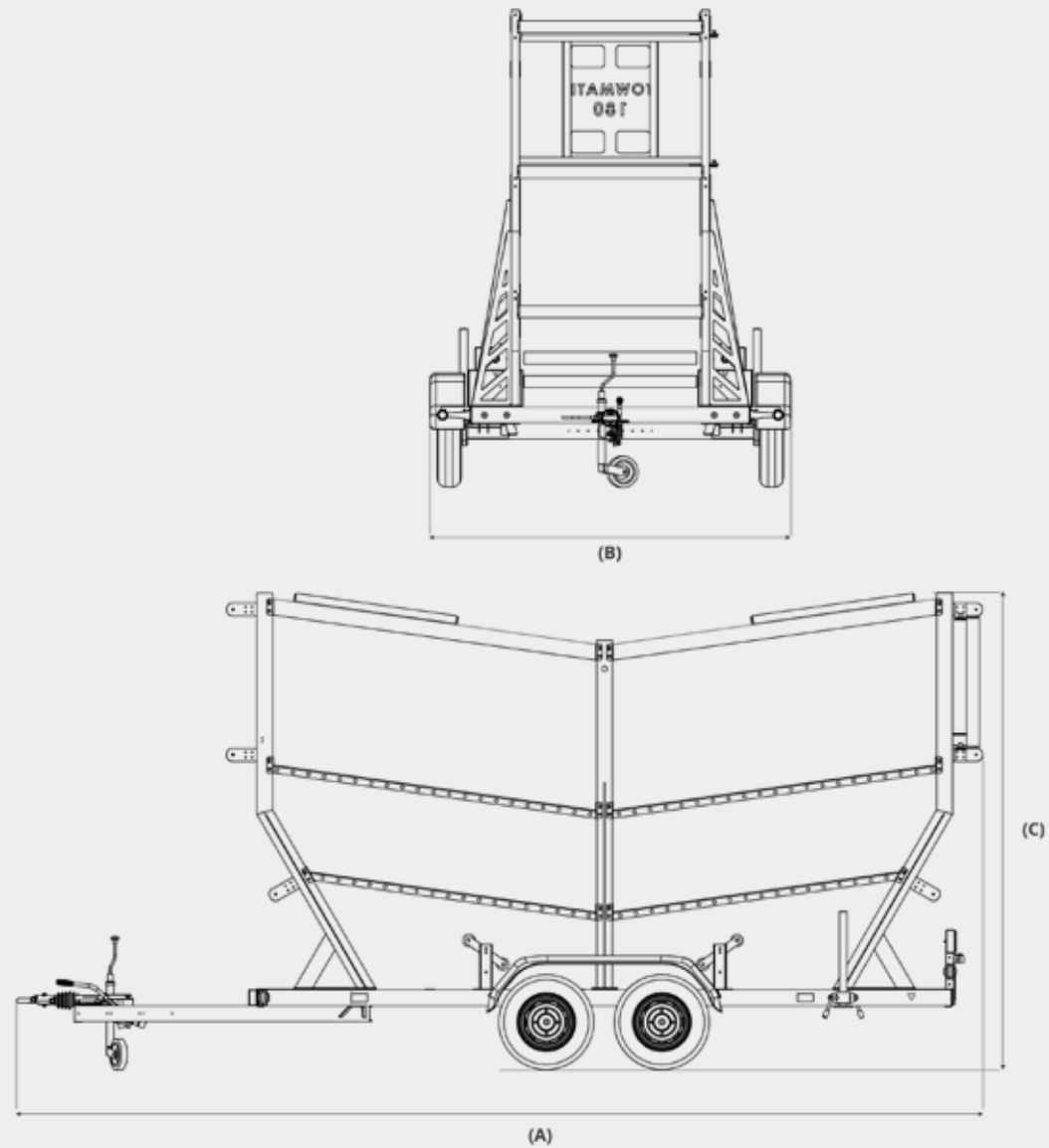
(A)

(C)

DIMENSIONS

TWIN AXLE.

- (A) Overall Length (mm)
- (B) Overall Width (mm)
- (C) Overall Unladen Height (mm)



TECHNICAL SPECIFICATION

THE RAPTOR PIPE TRAILER

	TXPT125	TXPT180
CAPACITY		
Gross (KG)	1300	2600
Payload KG (standard spec)	515	1585
Unladen Weight KG (standard spec)	785	1015
DIMENSIONS		
(A) Overall Length (mm)	5355	6085
(B) Overall Width (mm)	2130	2280
(C) Overall Unladen Height (mm)	2470	3010
Maximum Coil Outside Diameter (mm)	3500	4080
Maximum Coil Width (mm)	910	1040
RUNNING GEAR		
Axles	1	2
165 R13 8 Ply Wheel & Tyre Assembly	●	○
185/70 R13 Wheel & Tyre Assembly	○	●
Cast Steel Coupling Head	No Cost Option	No Cost Option
40mm Eye Coupling	No Cost Option	No Cost Option
WheelSentry®	○	○
BED & REAR LOADING		
Skid Plate	○	●
ADDITIONAL OPTIONS		
Adjustable Pipe Guide	○	○
Winch Frame, 2600LB Winch & Strap	○	○

● Standard Equipment ○ Optional Equipment — Not available * Coming Soon

PRO SUPPORT

OUR AFTERSALES PACKAGE.

PROFUND

Looking to spread the cost? Finance is a simple, easy and competitive way to acquire your new trailer. We offer finance options across our range to help you get the equipment you need, when you need it. We can tailor our deals to suit your requirements - be it hire purchase, lease or whatever works best for your business. Get in touch with us today to find out how we can support your trailer needs! Email sales@towmatetrailers.com or call us on 01206 589550. Terms and conditions apply.

WARRANTY

We believe in supporting our customers from point of purchase all the way through to maintenance and repair. Our team are here to help you get the most out of your product. Towmate warranty is a no quibble warranty. Providing genuine Towmate parts are purchased, and the trailer is maintained with our recommended service schedule, your Towmate product is covered. We offer a 1-year warranty on our Standard range, and a 3-year warranty on our Pro range of trailers. Terms and conditions apply.

SERVICELINE

We know how important it is to keep your trailers running and transporting your equipment and machinery to site. Ensuring your trailer stays safe and road worthy means regular servicing is necessary and essential. That's why we offer a comprehensive service package, freeing you up to spend time on what you do best, serving your customers. We take the hassle and headache out of maintenance, helping you to run efficiently, minimise your downtime and keep your trailers running, day-in, day-out. Our parts are available for despatch on next working day delivery from our sister company ATE (UK) Ltd. Get in contact today to find out more how we can help you!



TOWMATE TRAILERS

HEAD OFFICE:

Towmate Trailers Ltd,
Whitehall Road, Colchester
Essex,
CO2 8WA

T: 01206 589550

E: sales@towmatetrailers.co.uk

www.towmatetrailers.co.uk

