

# RHINO

FROM **TOWMATE**



## CHIPPER TRAILER

## THE CHIPPER TRAILER

Tough. Durable. Dependable.

Based on the tough, durable design of our Rhino plant trailer, the Tracked Chipper trailer has been especially designed for the strapless transportation of your Forst TR6 and TR8 tracked wood chippers.

The trailer includes all of the features of our Pro range of the plant trailer including front corner steps for easy access, full dual voltage LED lighting, steel mudguards with anti-slip surface tape and grip deck flooring.

The trailer comes with our 1700mm double angle, full-width ramp. The double angle in the ramp helps to lower the loading angle and provide a smoother loading experience.



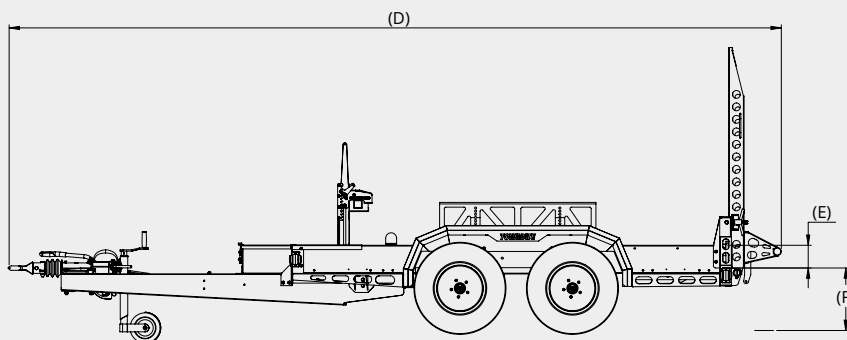
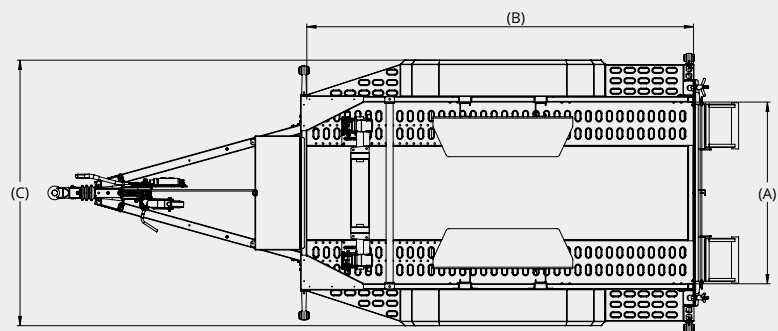
◀ Our LoadSentry system has been adapted and engineered to allow you to mount and secure the chippers onto the trailer without the use of any straps, making the loading process smoother and more efficient.

There is a stop bar fitted at the front of the trailer designed to ensure that the chipper is accurately positioned on the trailer every time. This helps to ensure that axle and nose loads are always correct.

## DIMENSIONS

### THE CHIPPER TRAILER.

- (A) Internal Width (mm)
- (B) Internal Length (mm)
- (C) Overall Width (mm)
- (D) Overall Length (mm)
- (E) Side Height (mm)
- (F) Loading Height (mm)



# TECHNICAL SPECIFICATION

## THE CHIPPER TRAILER.

TXDP2813-27	
<b>CAPACITY</b>	
Gross (KG)	2700
Payload KG (standard spec)	1853
Unladen Weight KG (standard spec)	847
<b>DIMENSIONS</b>	
(A) Internal Width (mm)	1300
(B) Internal Length (mm)	2770
(C) Overall Width (mm)	1900
(D) Overall Length (mm)	4845
(E) Side Height (mm)	145
(F) Loading Height (mm)	385
<b>RUNNING GEAR</b>	
Axles	2
Pivot Axle System	○
Steel Mudguards	●
2.5T Rated Lashing Points 2 sets of 4	●
50mm Cast Steel Coupling Head	No Cost Option
40mm Eye Coupling	No Cost Option
LED Lights	●
LoadSentry	●
Side Steps	●
48mm Serrated Jockey Wheel	●
Toolbox	●
Grip Deck	●
<b>BED &amp; REAR LOADING</b>	
Plywood Flooring	●
1700mm Double Angled Ramp	●
<b>OTHER ADDITIONAL OPTIONS</b>	
WheelSentry®	○
Spare Wheel & Carrier	○

● Standard Equipment    ○ Optional Equipment

The Chipper trailer comes with a toolbox mounted at the front of the trailer which is lockable for extra security and peace of mind, and some additional steps to aid the safe entry and exit onto the driving platform of the chipper. This makes transporting Forst tracked chippers truly a simple task, enabling your work force to stay focused on their job, and get to and from site safely.

# RHINO

FROM **TOWMATE**

## HEAD OFFICE:

Towmate Trailers Ltd,  
Whitehall Road, Colchester  
Essex,  
CO2 8WA

**T:** 01206 589550

**E:** [sales@towmatetrailers.co.uk](mailto:sales@towmatetrailers.co.uk)

[www.towmatetrailers.co.uk](http://www.towmatetrailers.co.uk)

