

RHINO
FROM **TOWMATE**

RHINO PLANT TRAILER

THE PRO RANGE





INNOVATION. PRECISION. STRENGTH

Built From The Ground Up. The Rhino Digger Plant Trailer.

Built from the ground up, the Rhino Plant Trailer embraces the harsh environments associated with construction work. The tough galvanised steel chassis and modular design embodies the durability and strength that you've come to expect from Towmate Trailers.

The Pro Range of our Rhino Plant trailer includes ground-breaking innovations, such as our pivot axle system; which prevents wheel and axle damage and ensures that your axles are never overloaded.

We've also engineered a unique strapless system called LoadSentry for holding the digger to the trailer. This innovation ensures quick and efficient loading and security of your digger, and paired with our double angle ramp, takes loading your trailer to another level.

Built Rugged. Built For You.

Available in two different bed sizes, and three weight capacities, with scope to customise features available, there is a Rhino Plant Trailer to suit every requirement.

RHINO PLANT TRAILER STANDARD FEATURES.

At the heart of the Rhino is a trailer designed to provide a pleasant towing experience. Its standard features ensure that the Rhino is always competent in every situation.



▲ LED DUAL VOLTAGE LIGHTING

LED dual voltage lights are included as standard on our pro range of trailers. LED lights are more energy efficient, brighter and more resistant to shattering.



1-YEAR WARRANTY

Our Pro range of the Rhino Trailers comes with a 1-year warranty.

▶ SAFE ACCESS POINTS

Integrated side steps and load bearing mudguards allow safe access to the trailer load and ensures that three points of contact are maintained at all times.



◀ 2.5T RATED LASHING POINTS

4 lashing points, rated at 2.5T each, provide multiple tie down points. Engineered so they tuck out of the way when not in use, these hooks provide a clear deck which is easy to clean.

▶ HEAVY DUTY MUDGUARDS

Bespoke welded steel construction offers a load bearing surface and enhanced durability.



HEAVY DUTY RUNNING GEAR

The Rhino features a 5-stud configuration with a heavy duty SFL bearing, for durability and ease of maintenance.



▲ INTEGRATED SAFETY STEPS

Made of heavy duty steel. Features bespoke high grip protrusions for safe access to the trailer. The high grip durable steel surface also reduces slip hazards.



 Kubota

Kubota

U274

Model shown is the Rhino Pro TXDP3117-35 with 1400mm full-width ramp.

RHINO PLANT TRAILER OPTIONAL FEATURES.

The Rhino Pro Range is fully configurable, allowing you to add optional features such as the pivot axle system, digger arm lock and our LoadSentry strapless digger system, for securing your diggers during transport. With its modular design, the Rhino can be adapted for any requirement.

▶ **IT'S YOUR CHOICE!**

Choose from a 50mm ball coupling with high security lock, at no extra cost, or a 40mm eye.



▲ **ELECTRIC WINCH**

Option for an electric winch, positioned on the a-frame at the front of the trailer to ensure safe and easy use.

◀ **DIGGER ARM LOCK**

Secures the boom of the digger to prevent sideways movement during transport.

▶ **WHEELSENTRY®**

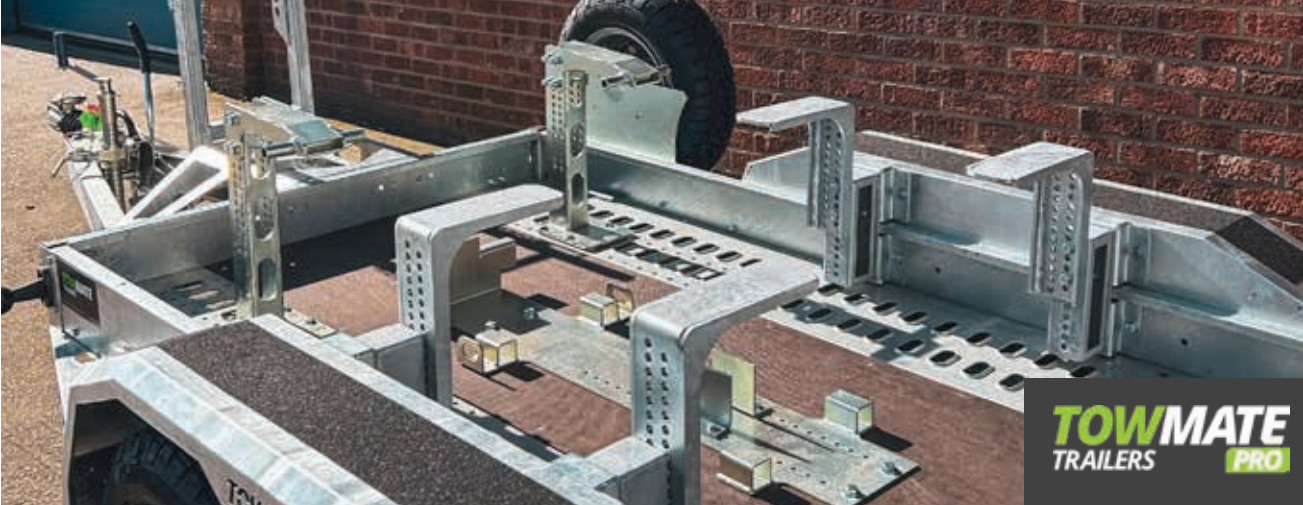
Our unique WheelSentry 2-in-1 wheel nut indicator and retainer system. Recommended to ensure reduced risk of wheel loss.



▲ **PIVOT AXLE SYSTEM**

This unique optional pivot axle system ensures that all four wheels always maintain contact with the surface of the road, avoiding circumstances which could cause the front or rear axles to become overloaded. It ensures a smooth and pleasant towing experience no matter what the terrain you are crossing. Scan the QR code to watch this incredible system in action!





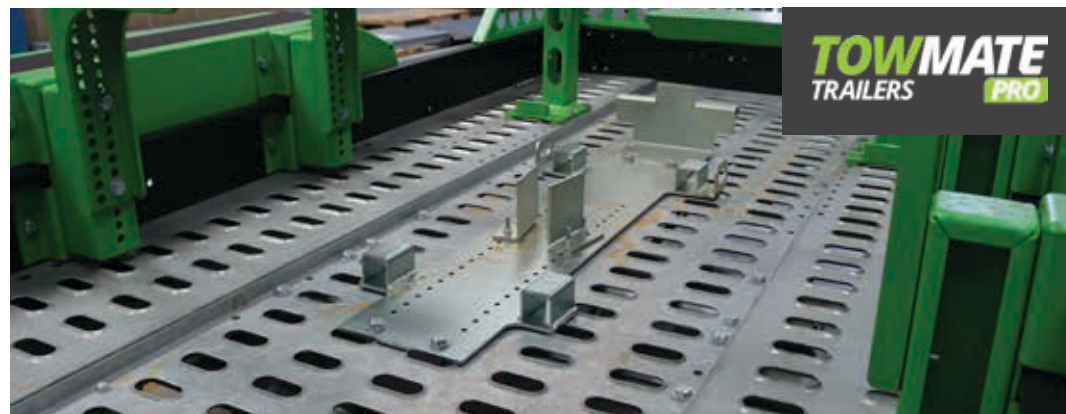
► **LOADSENTRY®. OUR STRAPLESS DIGGER SYSTEM**

LoadSentry enables fast and secure loading of diggers, without the need of ratchet straps. This unique system also means you drive the digger onto the trailer in a forward direction. Operates as a simple load and go system. It is a completely modular design and all the features are interchangeable. Each component can be added or removed separately to suit any requirements.



▼ **SECURE BUCKET LOCKER & BREAKER STORAGE**

A secure storage system for both buckets and breaker. The breaker store lies vertically along the trailer bed, with easy access from curbside for added safety. Ensures that additional buckets being carried can be secured to avoid theft.



▲ **BUCKET LOCKER**

A secure storage system for your buckets. Ensures that additional buckets being carried can be secured to avoid theft. It is also removable to provide additional space in the front of the trailer.



▲ SPARE WHEEL & CARRIER

Mounted conveniently on the front headboard of the trailer. Lockable to increase security.

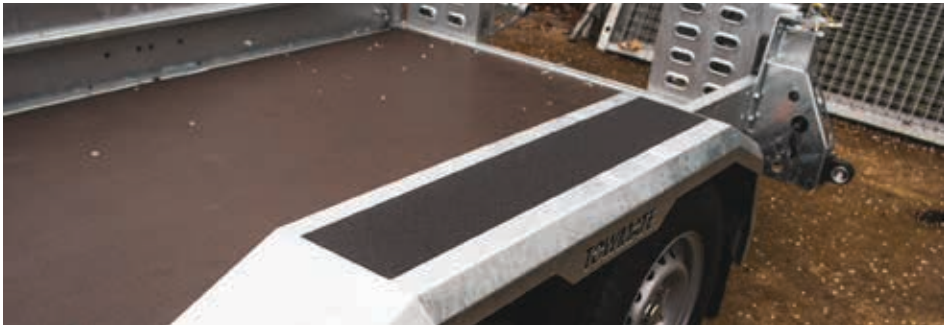
▼ WHEEL CHOCKS

Wheel chocks help to secure your trailer and prevent it from rolling away on steep or uneven terrain.



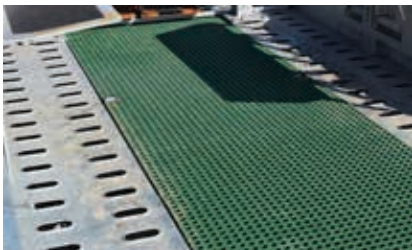
▲ DOUBLE ANGLE RAMP

The 1700mm double angle ramp is a unique innovation which provides a smooth loading experience. The design softens the loading angle and removes the lurch when loading machinery.



▲ FOUR FLOORING OPTIONS

The Rhino comes with four different flooring options; standard birch plywood, grip deck, grip deck with a plywood infill or grip deck with a GRP mini mesh infill.



▲ High grip protrusions in the ramp ensure better grip when loading.

▼ TWO RAMP OPTIONS

Two different ramp options; full width and individual. Choose between 1400mm and 1700mm lengths. The 1700mm full-width is a double angle ramp.





TOWMATE

EZ T

TOWMATE

TOWMATE

WICKLI
WELSON

WICKLI
WELSON



Model shown is the Rhino Pro TXDP2813-27 with pivot axle system, LoadSentry® 1700mm double angle ramp, upgraded wheel & tyres and jockey wheel and WheelSentry®

DIMENSIONS

THE PRO RANGE.

- (A) Internal Width (mm)
- (B) Internal Length (mm)
- (C) Overall Width (mm)
- (D) Overall Length (mm)
- (E) Side Height (mm)
- (F) Loading Height (mm)

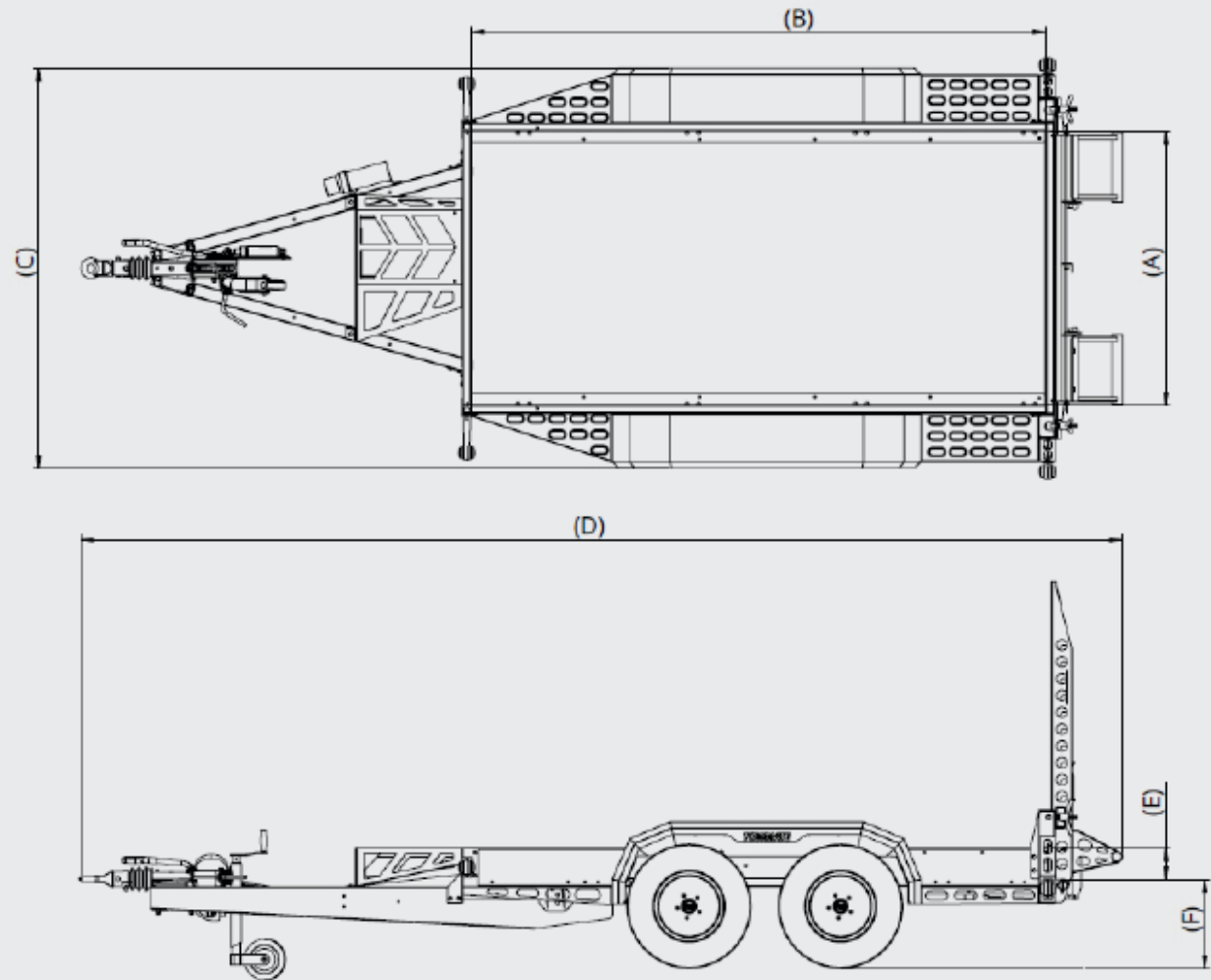


Diagram shows Rhino Pro Range

TECHNICAL SPECIFICATION

	TXDP2813-27	TXDP2813-27-PA	TXDP2813-30	TXDP2813-30-PA	TXDP2813-35	TXDP2813-35-PA	TXDP3117-35	TXDP3117-35-PA
CAPACITY								
Gross (KG)	2700	2700	3000	3000	3500	3500	3500	3500
Payload KG (standard spec)	2115	2020	2405	2310	2870	2775	2760	2655
Unladen Weight KG (standard spec)	585	680	595	690	630	725	740	845
DIMENSIONS								
(A) Internal Width (mm)	1300	1300	1300	1300	1300	1300	1700	1700
(B) Internal Length (mm)	2770	2770	2770	2770	2770	2770	3045	3045
(C) Overall Width (mm)	1900	1900	1900	1900	1900	1900	2300	2300
(D) Overall Length (mm)	4945	4945	4945	4945	4945	4945	5205	5205
(E) Side Height (mm)	145	145	145	145	145	145	145	145
(F) Loading Height (mm)	380	380	380	380	380	380	380	380
RUNNING GEAR								
Axles	2	2	2	2	2	2	2	2
Pivot Axle System	-	●	-	●	-	●	-	●
LED Lights	●	●	●	●	●	●	●	●
165 R13 8 Ply Wheel & Tyre Assembly	●	●	-	-	-	-	-	-
185/70 R13 Wheel & Tyre Assembly	-	-	●	●	●	●	●	●
48mm Serrated Jockey Wheel	○	○	●	●	●	●	●	●
Spare Wheel & Carrier	○	○	○	○	○	○	○	○
2.5T Recessed Lashing Rings (4 pairs)	●	●	●	●	●	●	●	●
Cast Steel Coupling Head	No Cost Option	No Cost Option	No Cost Option	No Cost Option	No Cost Option	No Cost Option	No Cost Option	No Cost Option
40mm Eye Coupling	No Cost Option	No Cost Option	No Cost Option	No Cost Option	No Cost Option	No Cost Option	No Cost Option	No Cost Option

● Standard Equipment ○ Optional Equipment — Not available

TECHNICAL SPECIFICATION

	TXDP2813-27	TXDP2813-27-PA	TXDP2813-30	TXDP2813-30-PA	TXDP2813-35	TXDP2813-35-PA	TXDP3117-35	TXDP3117-35-PA
WheelSentry®	○	○	○	○	○	○	○	○
BED & REAR LOADING								
Plywood Flooring	○	○	○	○	○	○	○	○
Steel Grip Deck	○	○	○	○	○	○	○	○
Steel Grip Deck with Plywood Infill	○	○	○	○	○	○	○	○
Steel Grip Deck with GRP Mini Mesh Infill	○	○	○	○	○	○	-	-
1400mm Individual Ramps - Pair	○	○	○	○	○	○	○	○
1400mm Full-Width Ramp	○	○	○	○	○	○	○	○
1700mm Individual Ramps - Pair	○	○	○	○	○	○	○	○
1700mm Full-Width Double Angle Ramp	○	○	○	○	○	○	○	○
Gas-assisted Ramps (for full-width ramps)	Standard on full-width ramps	Standard on full-width ramps	Standard on full-width ramps	Standard on full-width ramps	Standard on full-width ramps	Standard on full-width ramps	Standard on full-width ramps	Standard on full-width ramps
ADDITIONAL OPTIONS								
Digger Arm Lock	○	○	○	○	○	○	○	○
LoadSentry®	○	○	○	○	○	○	○	○
Standard Breaker Store	○	○	○	○	○	○	○	○
Breaker Store & Bucket Rest	○	○	○	○	○	○	-	-
Breaker Store & Bucket Lip	○	○	○	○	○	○	○	○
Bucket Locker with Basic Net	○	○	○	○	○	○	○	○
Standard Bucket Locker	○	○	○	○	○	○	-	-
Breaker Store & Bucket Rest Locker	○	○	○	○	○	○	-	-
Wheel Chocks	○	○	○	○	○	○	○	○
Electric Winch	○	○	○	○	○	○	○	○

● Standard Equipment ○ Optional Equipment — Not available



Model shown is the Rhino Pro TXDP3117-35 with 1400mm full-width ramp.

PRO SUPPORT

OUR AFTERSALES PACKAGE.

PROFUND

Looking to spread the cost? Finance is a simple, easy and competitive way to acquire your new trailer. We offer finance options across our range to help you get the equipment you need, when you need it. We can tailor our deals to suit your requirements - be it hire purchase, lease or whatever works best for your business. Get in touch with us today to find out how we can support your trailer needs! Email sales@towmatetrailers.com or call us on 01206 589550. Terms and conditions apply.

WARRANTY

We believe in supporting our customers from point of purchase, all the way through to maintenance and repair. Our team are here to help you get the most out of your product. Towmate warranty is a no quibble warranty. Providing genuine Towmate parts are purchased, and the trailer is maintained with our recommended service schedule, your Towmate product is covered. We offer a 1-year warranty on all our trailers. Terms and conditions apply.

SERVICING

We know how important it is to keep your trailers running and transporting your equipment and machinery to site. Ensuring your trailer stays safe and road worthy means regular servicing is necessary and essential. That's why we offer a comprehensive service package, freeing you up to spend time on what you do best - serving your customers. We take the hassle and headache out of maintenance, helping you to run efficiently, minimise your downtime and keep your trailers running - day-in, day-out. Our parts are available for despatch on next working day delivery from our sister company ATE (UK) Ltd. Get in contact today to find out more how we can help you!



TOWMATE
TRAILERS **PRO**

HEAD OFFICE:

Towmate Trailers Ltd,
Whitehall Road, Colchester
Essex,
CO2 8WA

T: 01206 484530

E: sales@towmatetrailers.co.uk

www.towmatetrailers.co.uk

